

Oct. 7, 1969

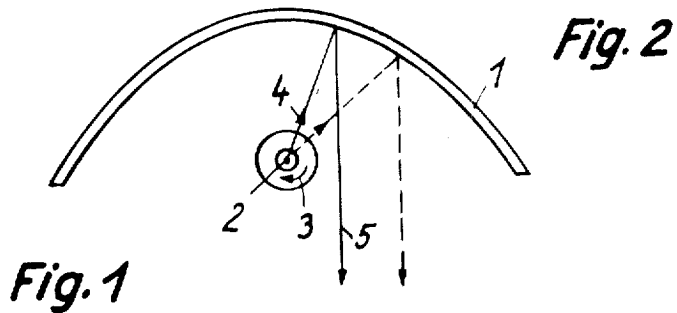
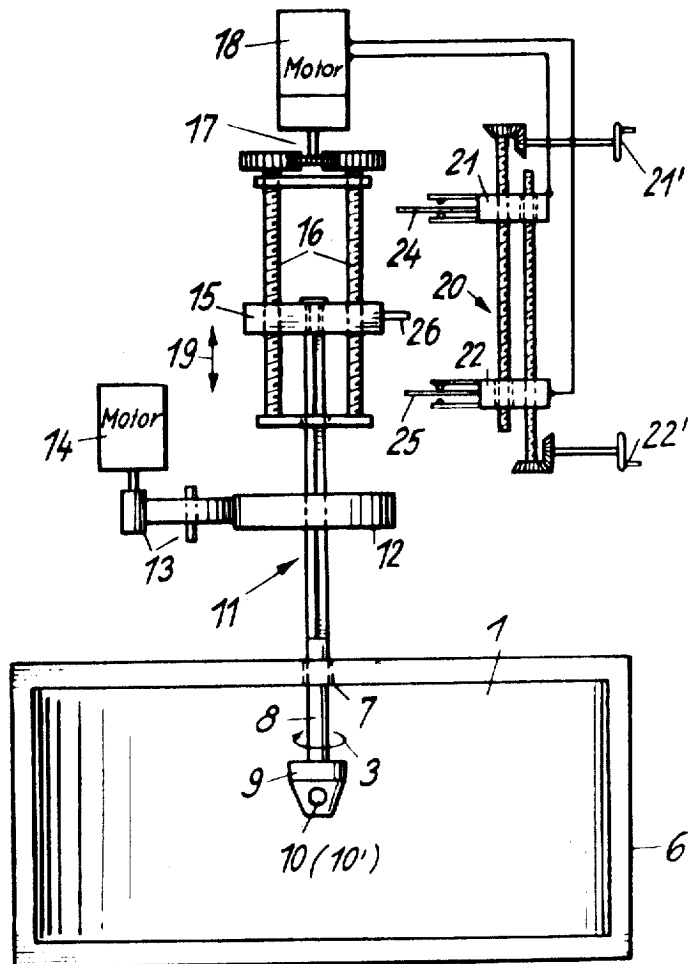
W. E. KRAUSE ET AL

3,470,868

ULTRASOUND DIAGNOSTIC APPARATUS

Filed June 7, 1965

6 Sheets—Sheet 1



INVENTORS  
WALTER ERICH KRAUSE  
RICHARD ERNST SOLDNER  
OTTO HEINZ KRESSE  
BY *Hell, Sherman, Merani, Gross & Simpson* ATTORNEYS